



Main

| | |
|---------------------------|---|
| Range of product | Magelis iPC |
| Product or component type | Multi-touch screen |
| Processor name | Intel Atom E3827 dual core 1.75 GHz |
| Chipset type | Intel Atom SoC |
| Free slots | 1 CFast |
| Display size | 15.6 inch |
| Display colour | 16777216 colors |
| Luminance | 300 cd/m ² |
| Pixel resolution | 4096 x 4096 |
| Video controller type | Intel HD Graphics |
| Software package | EcoStruxure secure connect advisor annual subscription cyber security license not included EcoStruxure operator terminal expert run time HMI license not included EcoStruxure machine SCADA expert run time HMI/SCADA on configured offer only EcoStruxure augmented operator advisor server augmented operator license not included |

Complementary

| | |
|----------------------------------|--|
| Number of points | 5 |
| Terminal type | Touchscreen display |
| Memory type | RAM DDR3 4 GB internal |
| Data storage equipment | CFast card |
| Aspect ratio | 16:9 |
| Display type | LED Colour TFT LCD |
| Display resolution | 1366 x 768 pixels WXGA |
| Backlight lifespan | 50000 hours |
| View angle horizontal x vertical | 150 x 140° |
| Touch panel | Projected capacitive technology (PCT) |
| Type of cooling | Fanless Passive |
| Watchdog timer | 1...255 ms |
| Integrated connection type | RS232 with 1 male SUB-D 9, transmission rate: <= 115.2 kbits/s RS485/RS422 with 1 male SUB-D 9, transmission rate: <= 115.2 kbits/s USB 3.0 type A with 1, transmission rate: 1.5/12/480 Mbit/s, 5 Gbit/s USB 2.0 type A with 1, transmission rate: 1.5/12/480 Mbit/s |

Disclaimer: This documentation is not intended as a substitute for and is not to be used for determining suitability or reliability of these products for specific user applications

| | |
|---------------------------|--|
| | Ethernet port with 2 RJ45, transmission rate: 10/100/1000 Mbit/s |
| [Us] rated supply voltage | 100...240 V AC with additional adaptor HMIYPSOMAC1 24 V DC +/- 20 % |
| [In] rated current | 1.7 A |
| Mechanical robustness | 7H hardness anti-scratch |
| Local signalling | Buzzer Green LED for on Orange LED for stand-by |
| Function available | Operate with water on screen |
| Width | 419.7 mm |
| Height | 269 mm |
| Depth | 61.9 mm |
| Cut-out dimensions | 412.4 (+/- 0.7) x 261.7 (+/- 0.4) |
| Product weight | 3.9 kg |
| Main type | Optimised |

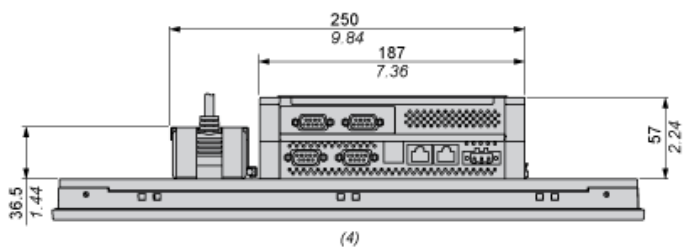
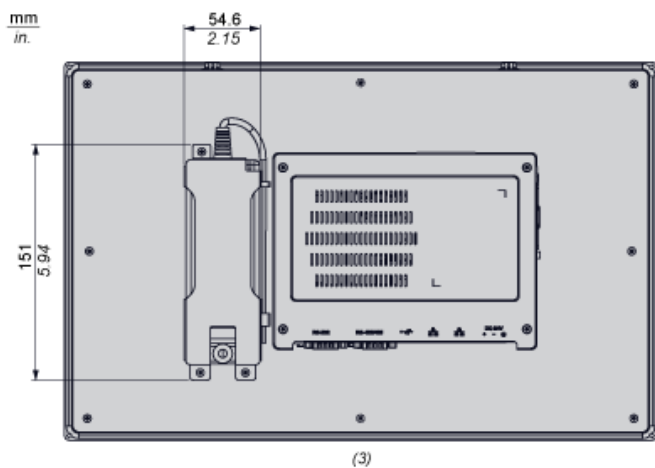
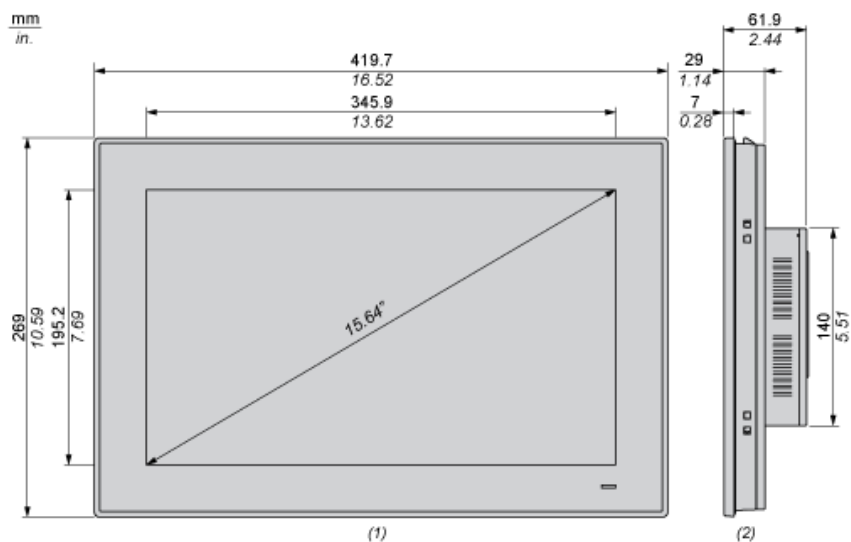
Environment

| | |
|---------------------------------------|---|
| IP degree of protection | IP66 front panel |
| Product certifications | AS/NZS CCC CE C-Tick RCM EAC |
| Standards | CISPR 11 IEC 60950 IEC 61000-6-2 IEC 61000-6-4 UL 60950 FCC part 15 class A CSA C22.2 No 60950 |
| Directives | 2004/108/EC - electromagnetic compatibility 2006/95/EC - low voltage directive 2011/65/EU - RoHS directive 1907/2006/EC - REACH directive 2012/19/EU - WEEE directive |
| Pollution degree | 2 |
| Ambient air temperature for operation | 0...55 °C SSD 0...55 °C Cfast card 0...45 °C HDD 0...45 °C Mini PCIe |
| Ambient air temperature for storage | -20...60 °C |
| Relative humidity | 10...95 % non-condensing |
| Operating altitude | 2000 |
| Vibration resistance | 1 gn 5...500 Hz HDD 2 gn 5...500 Hz SSD 2 gn 5...500 Hz Cfast card |

Offer Sustainability

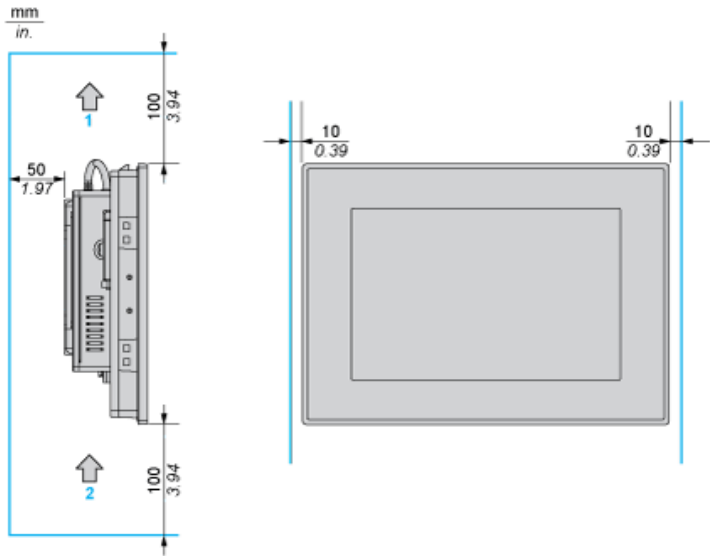
| | |
|------------------------|---|
| RoHS (date code: YYWW) | Compliant - since 1604 - Schneider Electric declaration of conformity Schneider Electric declaration of conformity |
| REACH | Reference not containing SVHC above the threshold Reference not containing SVHC above the threshold |

Dimensions



- (1) Front view
- (2) Right view
- (3) Back view
- (4) Bottom view

Spacing Requirements

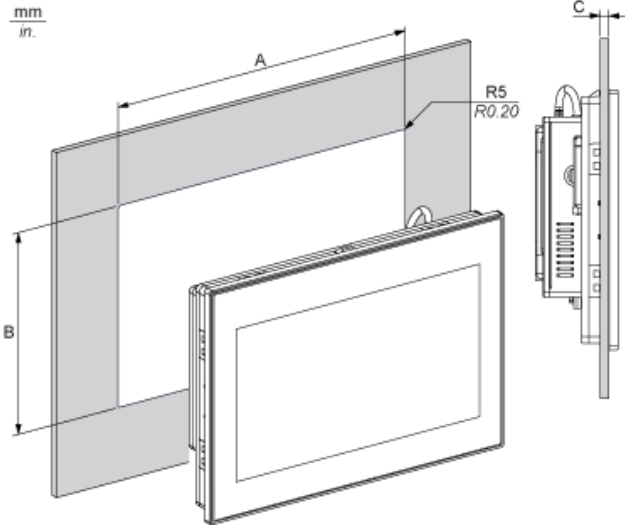


- 1 : Air out
- 2 : Air in

Mounting Orientation



Panel Cut Dimensions



| A | | B | | C | | R | |
|-------|-------|-------|-------|-------|-------------|----|------|
| mm | in. | mm | in. | mm | in. | mm | in. |
| 412.4 | 16.24 | 261.7 | 10.30 | 2...6 | 0.08...0.23 | 5 | 0.20 |