



Main

Range of product	Magelis iPC
Product or component type	PC panel
Processor name	Intel icore 3rd generation 827E cache 3 MB
Chipset type	Intel BD82HM76
Display size	12 inch
Display colour	16 million colours
Luminance	375 cd/m ²
Video controller type	Intel HD Graphics 3000
Operating system	Windows 7 64 bits Ultimate multi-language
Software package	Vijeo Designer run time demo
Bezel material	Aluminium alloy

Complementary

Terminal type	Touchscreen display
Data storage equipment	>= 60 GB Flash disk SSD MLC for 2000000 h
Display type	Active matrix colour TFT LCD with LED backlight
Display resolution	1024 x 768 pixels XGA
Backlight lifespan	50000 hours at 25 °C
View angle horizontal x vertical	80 x 80°
Touch panel	Analogue resistive
Memory type	2 GB, expandable to 16 GB RAM DDR3
Type of cooling	Fanless
Integrated connection type	DVI video port bottom Ethernet port with 2 RJ45 COM1 serial link male SUB-D 9 RS232C, transmission rate: 115 kbit/s bottom COM2 serial link male SUB-D 9 RS232C, transmission rate: 115 kbit/s bottom USB 2.0 type A, transmission rate: 480 Mbit/s front panel USB 3.0 type A with 4, transmission rate: 5 Gbit/s bottom Audio output mini-jack
Port Ethernet	10BASE-T/100BASE-T/1000BASE-T
[Us] rated supply voltage	100...240 V AC power supply
Network frequency	45...65 Hz
[In] rated current	0.6...2 A

Disclaimer: This documentation is not intended as a substitute for and is not to be used for determining suitability or reliability of these products for specific user applications

Inrush current	20 A
Material	Die cast aluminium
Display material	Polyethylene sheet
Fixing mode	By fixing kit with enclosure door (fasteners included)
Type of installation	Indoor
Control type	ON/OFF push-button (equipment ON and OFF) Push-button (reset)
Local signalling	Buzzer LED for link status LED for RUN Multi-colour LED for power Orange LED for accessing Flash disk SSD (DISK)
Width	313 mm
Height	239 mm
Depth	60 mm
Cut-out dimensions	301.5 (+ 1/- 0) x 227.5 (+ 1/- 0) x 1.6...9 mm
Product weight	4 kg
Main type	Universal

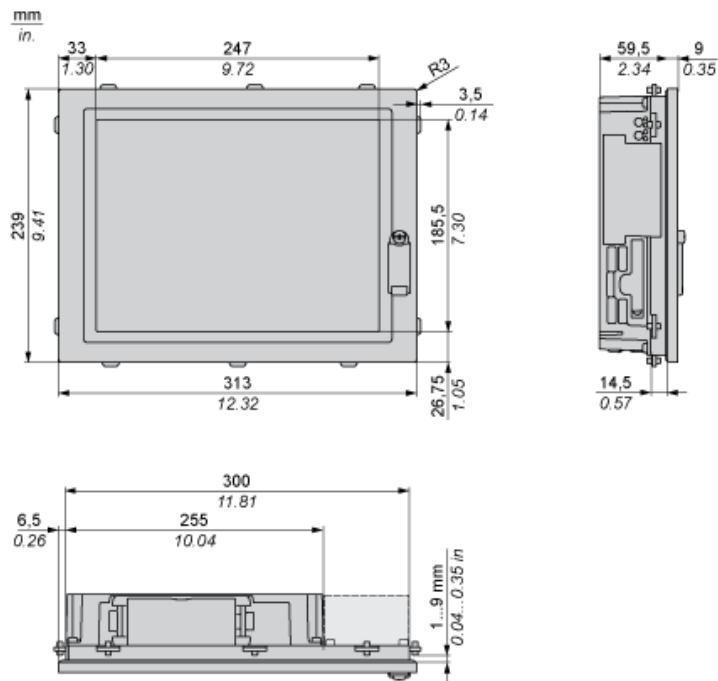
Environment

IP degree of protection	IP65 front panel conforming to EN/IEC 60529
NEMA degree of protection	NEMA 4X front panel
Product certifications	CE C-Tick GOST CULus 508 CULus CSA 22-2 No 142 CULus HazLoc Class I Division 2 UL 1604 CULus HazLoc Class I Division 2 ANSI/ISA 12-12-01 CULus HazLoc Class I Division 2 CSA 22-2 No 213
Pollution degree	2 EN/IEC 61131-2
Electromagnetic compatibility	Immunity to electromagnetic emissions class A EN 55022 Immunity to electromagnetic emissions class A EN 55011 Immunity to high frequency interference EN/IEC 61131-2 Immunity to high frequency interference EN/IEC 61000-4-x
Ambient air temperature for operation	0...50 °C vertical installation conforming to UL 508 0...45 °C vertical installation when using Gigabit Ethernet with HDD storage device conforming to UL 508 0...50 °C vertical installation conforming to IEC 61132-2 0...45 °C vertical installation when using Gigabit Ethernet with HDD storage device conforming to IEC 61132-2
Ambient air temperature for storage	-20...60 °C conforming to IEC 60068-2-14 test Na -20...60 °C conforming to IEC 60068-2-2 test Bb
Relative humidity	10...85 % non-condensing conforming to EN/IEC 60068-2-78 10...85 % non-condensing conforming to EN/IEC 60068-2-30
Operating altitude	2000 m conforming to EN/IEC 61131-2
Vibration resistance	1.75 mm 2...9 Hz continuous conforming to EN/IEC 60068-2-6 Fc 3.5 mm 2...9 Hz intermittently conforming to EN/IEC 60068-2-6 Fc 0.5 gn 9...200 Hz continuous conforming to EN/IEC 60068-2-6 Fc 1 gn 9...200 Hz intermittently conforming to EN/IEC 60068-2-6 Fc 1 mm 3...13.2 Hz continuous conforming to EN/IEC 60068-2-6 Fc 0.7 gn 13.2...100 Hz continuous conforming to EN/IEC 60068-2-6 Fc
Shock resistance	15 gn 11 ms conforming to IEC 60068-2-27, Ea tests

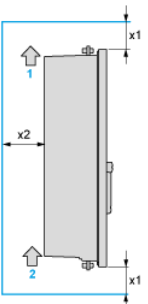
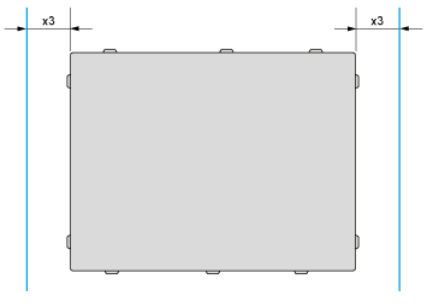
Offer Sustainability

RoHS (date code: YYWW)	Compliant - since 1426 - Schneider Electric declaration of conformity Schneider Electric declaration of conformity
REACH	Reference not containing SVHC above the threshold Reference not containing SVHC above the threshold

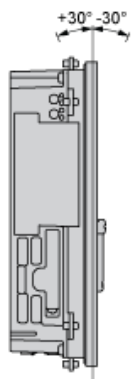
Dimensions



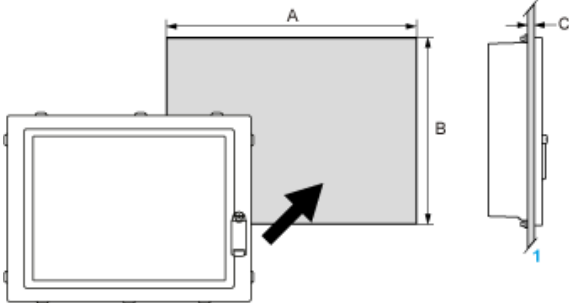
Spacing Requirement

Top, Bottom and Rear Sides	Left and Right Sides
 <p>1 Air out 2 Air in</p>	

Mounting Orientation



Panel Cut Dimensions



1 Installation panel

A	B	C
301.5 +1/0 mm (11.87 +0.04/0 in.)	227.5 +1/0 mm (8.96 +0.04/0 in.)	1.6...9 mm (0.06...0.35 in.)